

THIS DRAWING IS UNPUBLISHED.

RELEASED FOR PUBLICATION

ALL RIGHTS RESERVED.

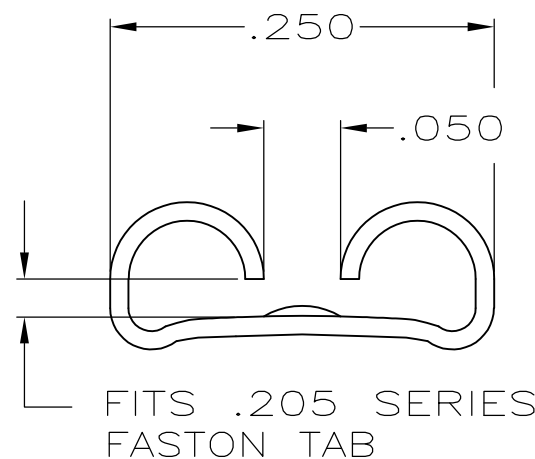
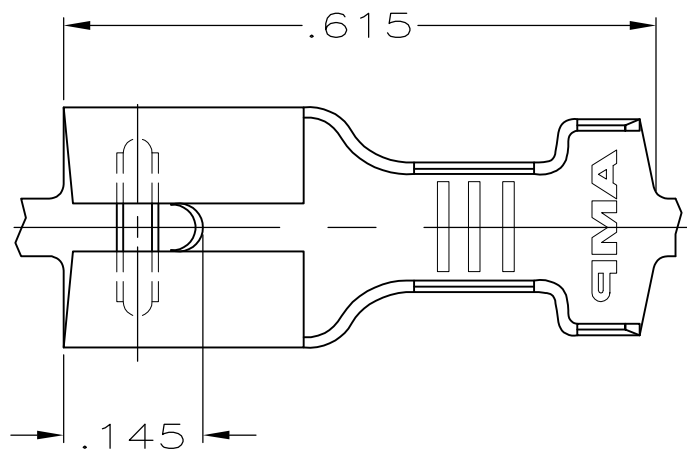
© COPYRIGHT - By -

LOC AF DIST 50

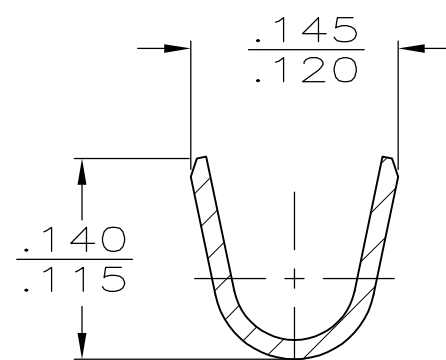
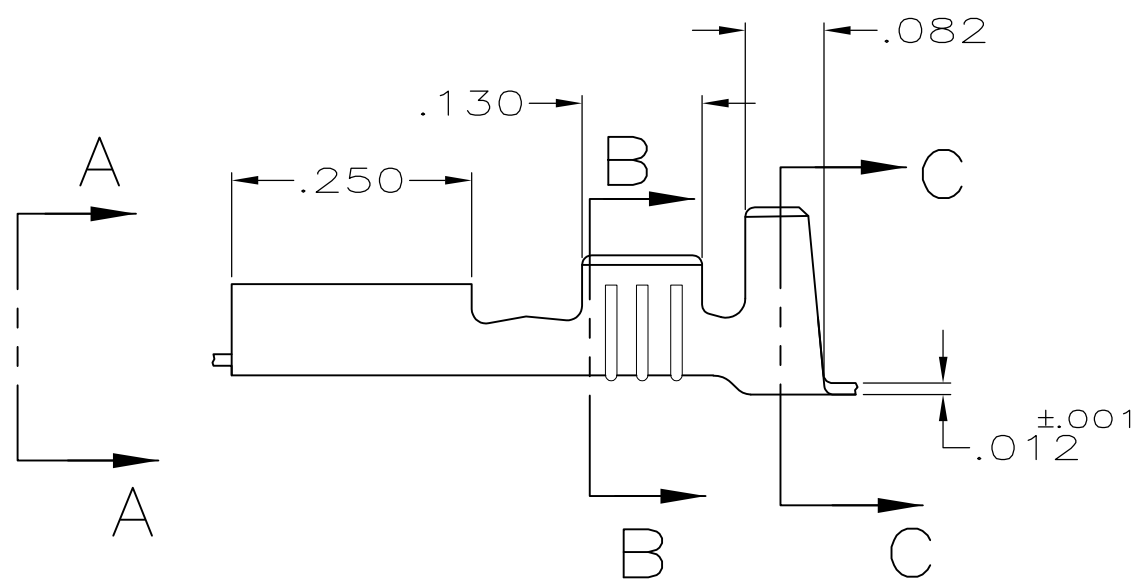
REVISIONS

P	LTR	DESCRIPTION	DATE	DWN	APVD
	N	REVISED PER ECR-12-013445	09NOV12	KH	PD

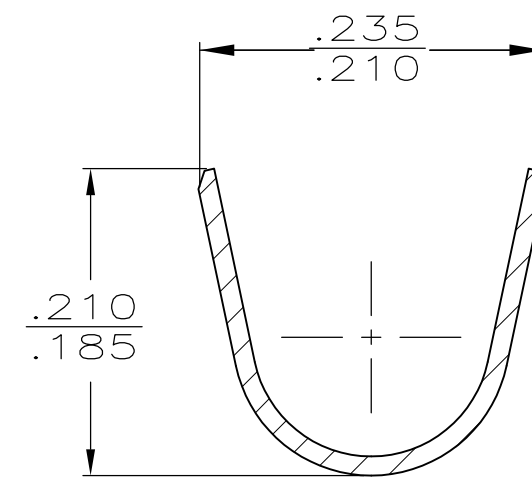
1 CONTINUOUS STRIP ON REELS



VIEW A-A
SCALE 8:1




SECTION B-B
SCALE 8:1



SECTION C-C
SCALE 8:1

OBSOLETE	.130-.180	18-14	TIN	.020	42713-2
	.130-.180	18-14	-		42713-1
	INSUL RANGE	WIRE SIZE	FINISH	MATING TAB THK ±.001	PART NUMBER

THIS DRAWING IS A CONTROLLED DOCUMENT.		DWN JR RUTH 6/22/89	 TE Connectivity RECEPTACLE, FASTON, .205 SERIES			
DIMENSIONS: INCHES		CHK P FORTNEY 6/22/89				
TOLERANCES UNLESS OTHERWISE SPECIFIED:		APVD C MEYERS 6/22/89				
0 PLC ± - 1 PLC ± - 2 PLC ± - 3 PLC ± .015 4 PLC ± - ANGLES ± -		NAME				
MATERIAL BRASS		FINISH SEE TABLE	PRODUCT SPEC -	APPLICATION SPEC -	WEIGHT -	
CUSTOMER DRAWING			SIZE A3	CAGE CODE 00779	DRAWING NO C-42713	RESTRICTED TO -
			SCALE 5:1	SHEET 1 OF 1	REV N	